

AHCH01-5202
In-truck Charger



In-truck charger for firefighting series

- Working Temperature Range: 0°C to 50°C (32°F to 122°F)

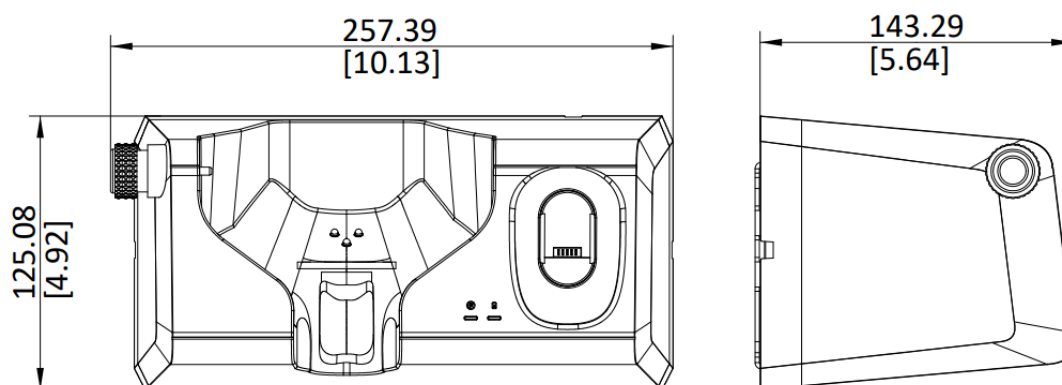
▪ Specification

General	
Power Input	12 -24V DC in to Cigarette lighter adapter , 5V or 12V DC, 2A max. from cigarette lighter adapter. 12 -24V DC in to DC-DC converter, 12V DC, 2A max. from DC-DC converter.
Battery Charging Indicator	Solid red: battery is charging. Solid green: battery is fully charged.
Charging Base Indicator	Solid red: Charging base is abnormal. Solid green: Charging base is powered on.
Battery Charging Time	5V cigarette lighter adapter: 9.5 hours for battery, 4 hours for camera. 12V cigarette lighter adapter: 3 hours for battery, 4 hours for camera. DC to DC converter: 3 hours for battery, 4 hours for camera.
Working Temperature Range	0°C to 50°C (32°F to 122°F)
EMC	EN 301 489-1, EN 301 489-17, EN IEC 61000-6-2, EN IEC 61000-6-3, EN 61326-1
Weight	Approx. 680g (1.50 lb)
Packaging Accessories	USB 2.0 A to USB Type-C cable, 5V Cigarette lighter adapter, DC to DC converter, Fuse, Screws and rivets kit, Quick Start Guide
Dimension	257.4 mm × 143.3 mm × 125.1 mm (10.1" × 5.6" × 4.9")

▪ Available Model

AHCH01-5202

▪ Dimension





 HIKMICRO Thermography  hikmicro_thermography  HIKMICRO Thermography  HIKMICRO  info@hikmicrotech.com  <http://hikmicrotech.com/en>

© Hangzhou Microimage Software Co., Ltd. All Rights Reserved.

*Note: Specifications are subject to change without notice. For the current specs,
please go to www.hikmicrotech.com