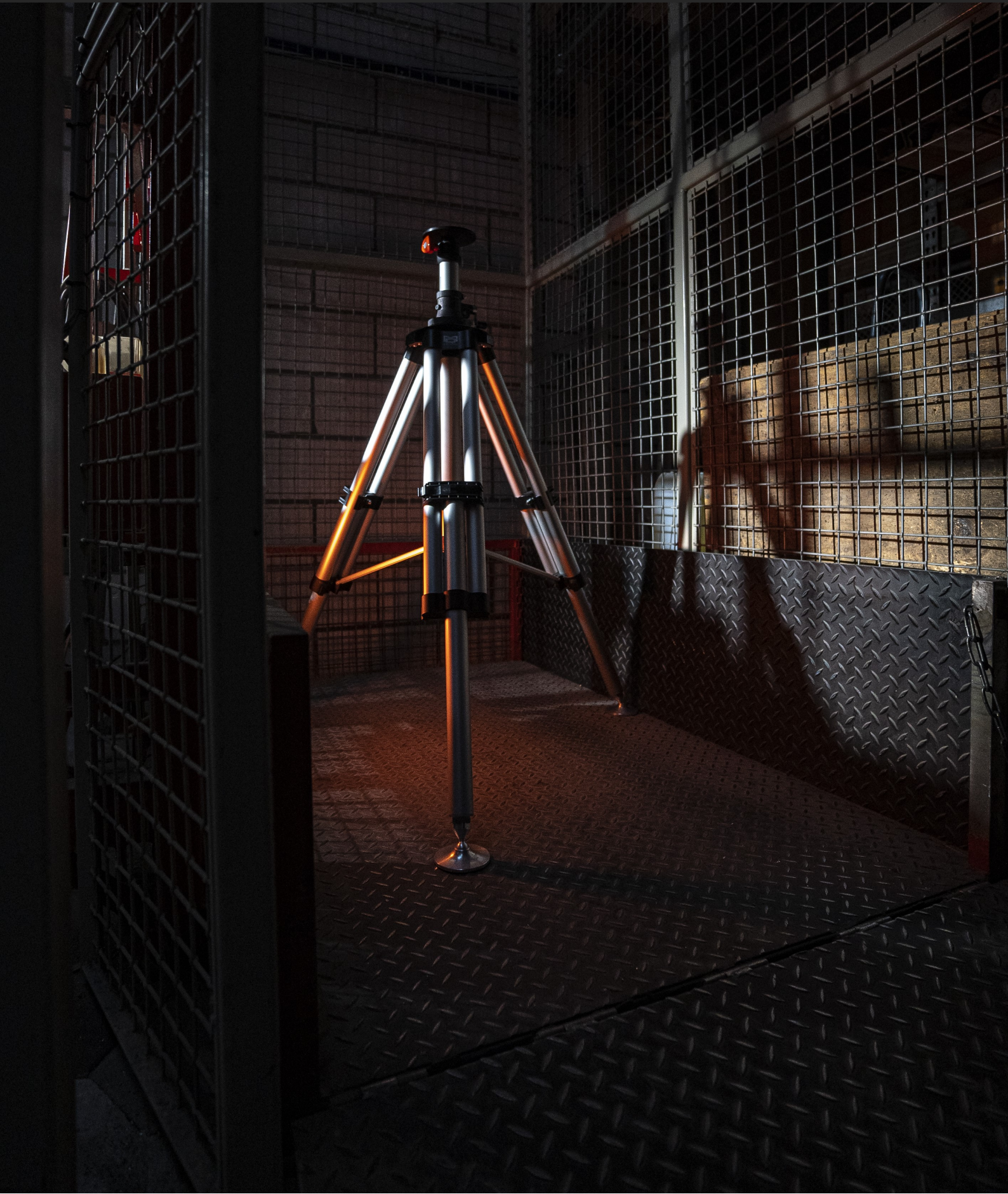
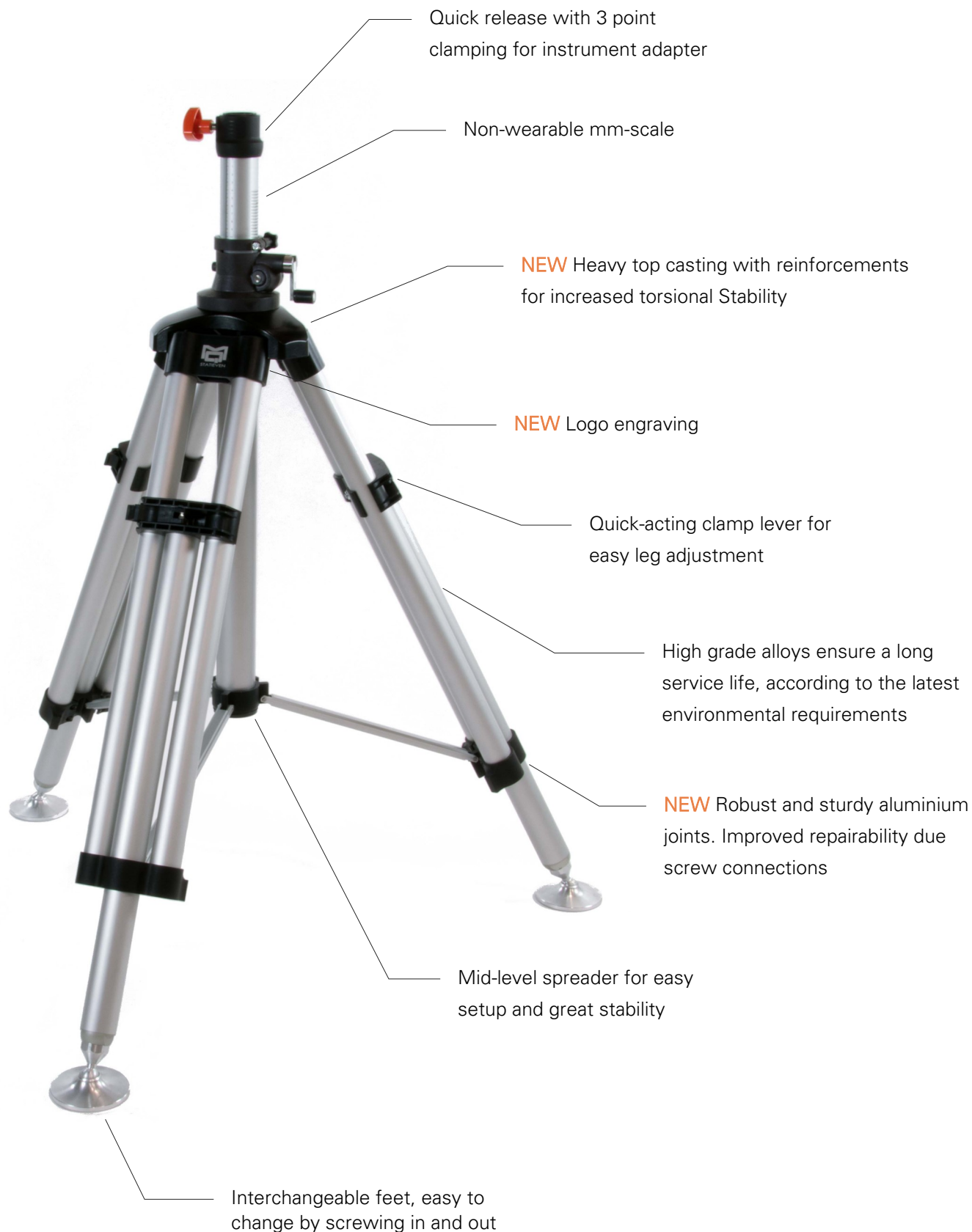


HEAVY DUTY TRIPODS NEXT GENERATION



HEAVY DUTY TRIPODS NEXT GENERATION



HEAVY DUTY TRIPODS NEXT GENERATION

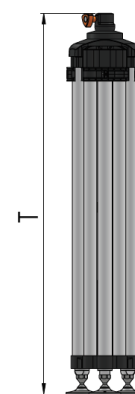
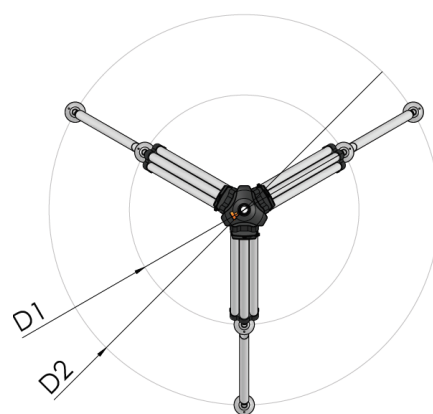
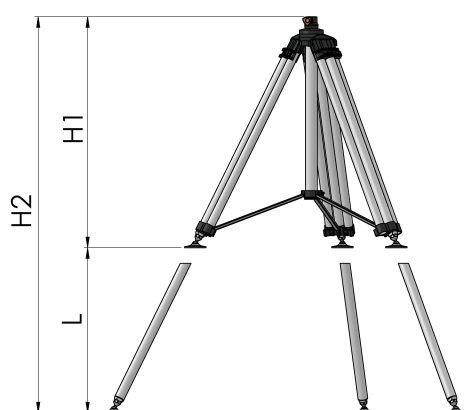
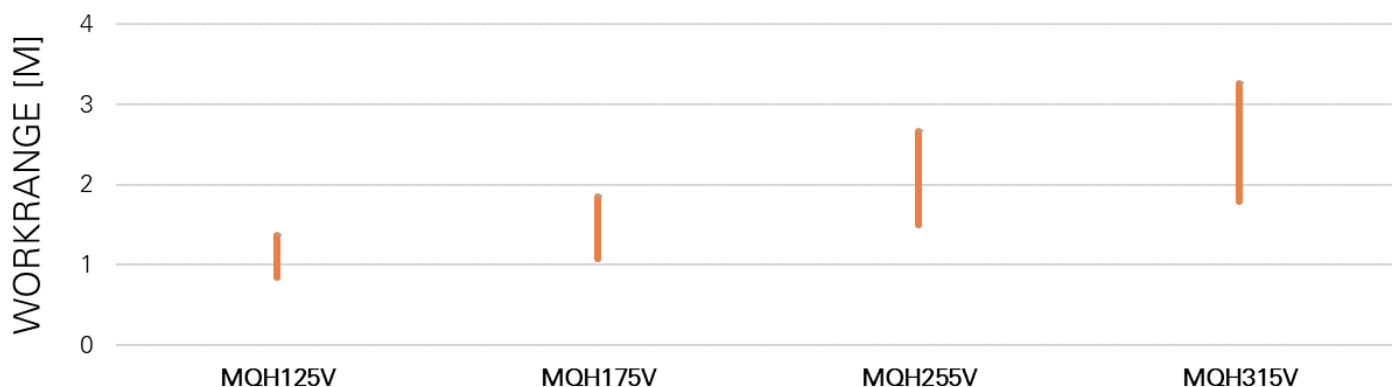


HEAVY DUTY TRIPODS

FIXED NEXT GENERATION



Industrial tripods with fixed column which have a high load capacity and give best stability. There are 4 height variants available.



Model	H1	H2	L	D1	D2	T	Weight	Max. Load
MQH125V	845	1365	520	865	1395	920	9,7	40
MQH175V	1085	1845	760	1110	1885	1190	11	40
MQH255V	1500	2670	1170	1410	2500	1625	13,2	40
MQH315V	1795	3260	1465	1690	3055	1950	14,8	40

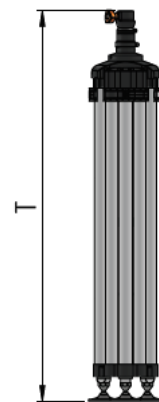
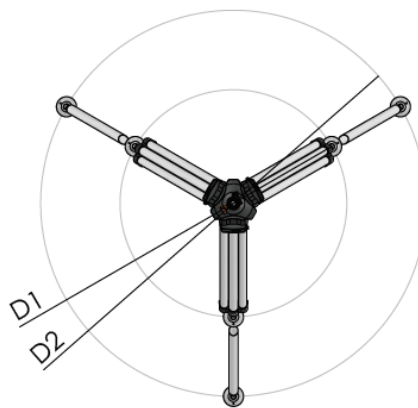
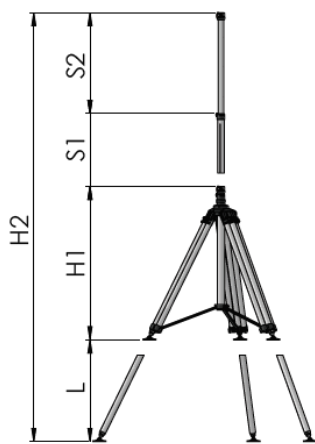
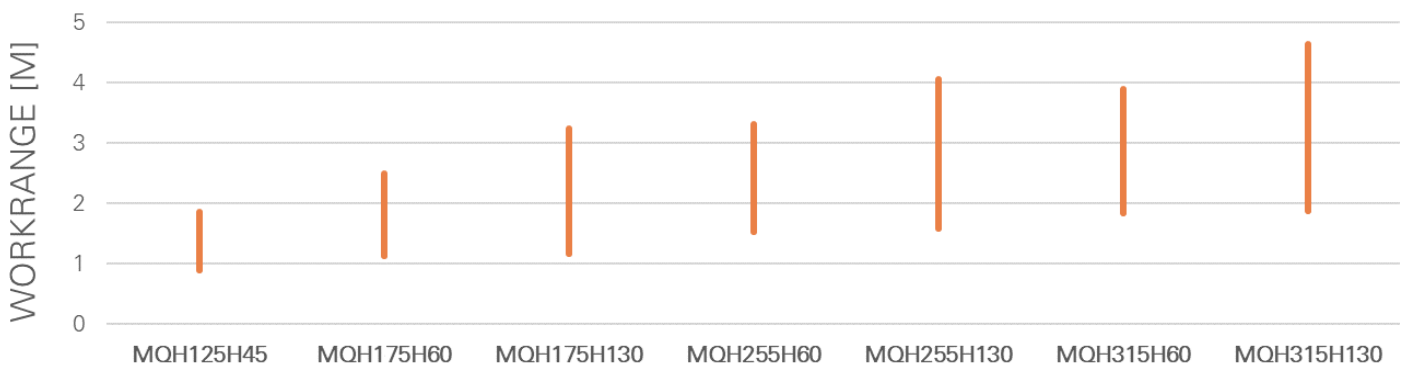
Dimensions in mm / weight in kg

HEAVY DUTY TRIPODS

ADJUSTABLE NEXT GENERATION



Industrial tripod with adjustable column which allows to reach great heights, but keeps the tripod compact for transportation. There are 7 height variants available.



Model	H1	H2	S1	S2	L	D1	D2	T	Weight	Max. Load
MQH125H45	885	1855	450	-	520	865	1395	955	10,8	25
MQH175H60	1125	2485	600	-	760	1110	1885	1225	12,3	25
MQH175H130	1170	3230	600	700	760	1110	1885	1270	13	25 dual column
MQH255H60	1535	3305	600	-	1170	1410	2500	1660	14,5	25
MQH255H130	1580	4050	600	700	1170	1410	2500	1705	15,2	25 dual column
MQH315H60	1835	3900	600	-	1465	1690	3055	1990	16,1	25
MQH315H130	1880	4645	600	700	1465	1690	3055	2035	16,8	25 dual column

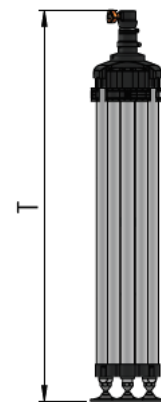
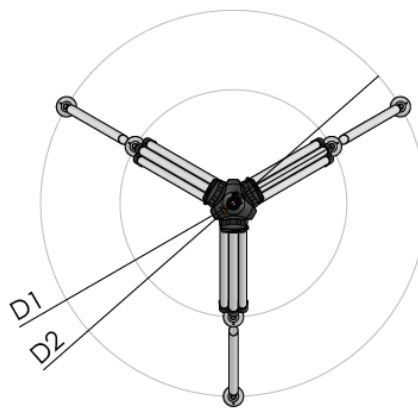
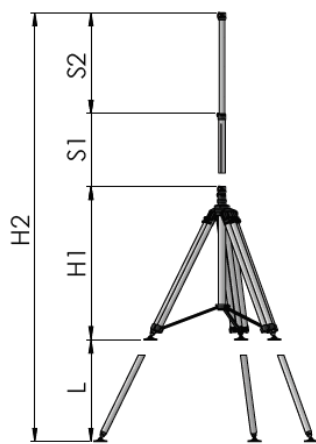
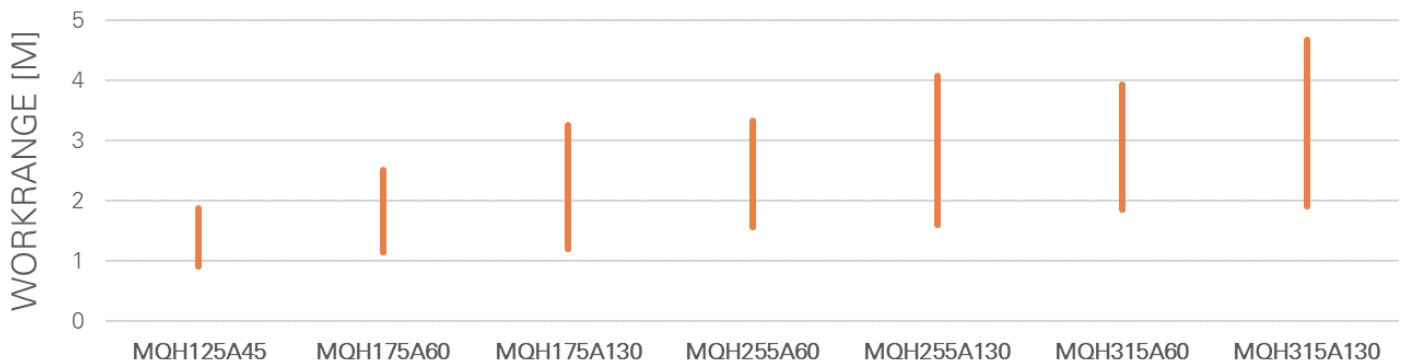
Dimensions in mm / weight in kg

HEAVY DUTY TRIPODS

GEARED NEXT GENERATION



Industrial tripods with crank-driven self-locking worm gear transmission for accurate up-and-down adjustment of the column. The column can be clamped at the collar for increased stability. There are 7 height variants available.



Model	H1	H2	S1	S2	L	D1	D2	T	Weight	Max. Load
MQH125A45	910	1880	450	-	520	865	1395	980	11	15
MQH175A60	1150	2510	600	-	760	1110	1885	1250	12,5	15
MQH175A130	1195	3255	600	700	760	1110	1885	1295	13,1	15 dual column
MQH255A60	1560	3330	600	-	1170	1410	2500	1685	14,7	15
MQH255A130	1605	4075	600	700	1170	1410	2500	1730	15,3	15 dual column
MQH315A60	1860	3925	600	-	1465	1690	3055	2015	16,3	15
MQH315A130	1905	4670	600	700	1465	1690	3055	2060	16,9	15 dual column

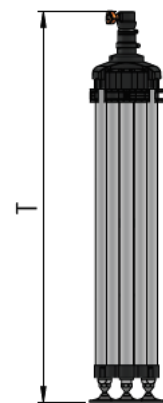
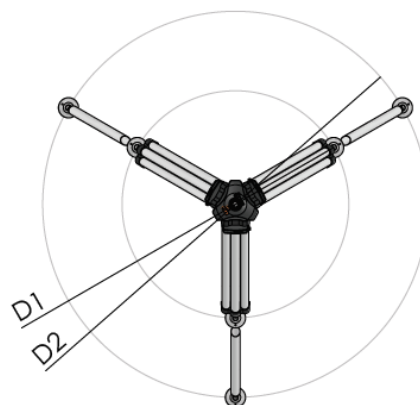
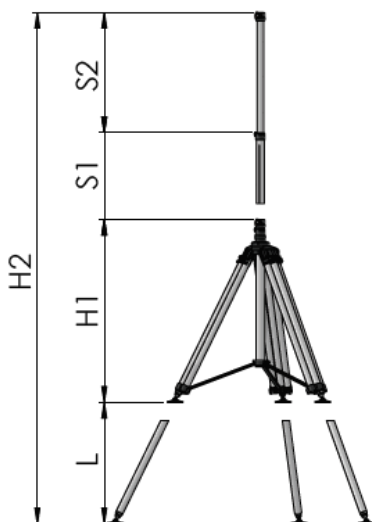
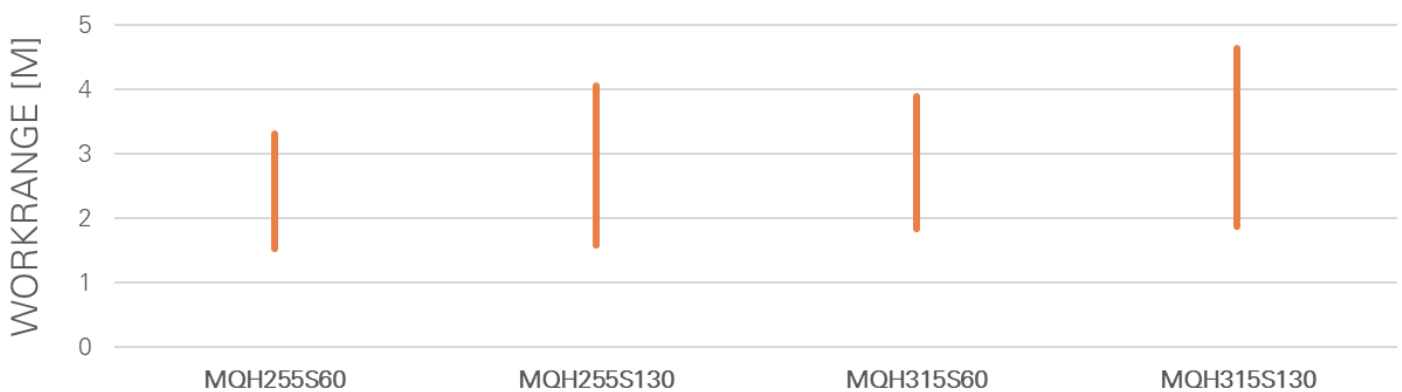
Dimensions in mm / weight in kg

HEAVY DUTY TRIPODS

SPINDLE NEXT GENERATION



Industrial tripods with crank-driven spindle for accurate up-and-down adjustment of the column. The crank is located at the bottom of the column, so these large tripods can be easily operated from ground level. There are 4 height variants available.



Model	H1	H2	S1	S2	L	D1	D2	T	Weight	Max. Load
MQH255S60	1535	3305	600	-	1170	1410	2500	1660	16,5	15
MQH255S130	1580	4050	600	700	1170	1410	2500	1705	17,2	15 dual column
MQH315S60	1835	3900	600	-	1465	1690	3055	1990	18,1	15
MQH315S130	1880	4645	600	700	1465	1690	3055	2035	18,8	15 dual column

Dimensions in mm / weight in kg

HEAVY DUTY TRIPODS

ACCESSORIES NEXT GENERATION



ADAPTERS



MQA200

5/8" - 11 UNC
Ø 65mm

MQA204

3 1/2" - 8 UNC

MQA206

5/8" - 11 UNC
Ø 140mm

MQA207

5/8" - 11 UNC
Ø 95mm

FEET



MQH438

Aluminium spherical plate foot with 3 rubber pads for smooth surfaces



MQH202

Aluminum point foot with hardened tip for rough and outdoor surfaces



MQH230

Solid swivel wheel for easy moving your tripod around. Once in place the wheel lock avoids any inadvertent moving

MISCELLANEOUS



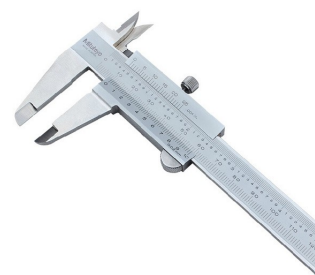
MQH232

Threeway level for quickly levelling your tripod. Clearly visible at all angles



LOGO ENGRAVING

Get your own name or logo laser engraved on your tripod



CUSTOMIZATION

Cannot find the tripod or accessory you are looking for? Ask us about the many customization options